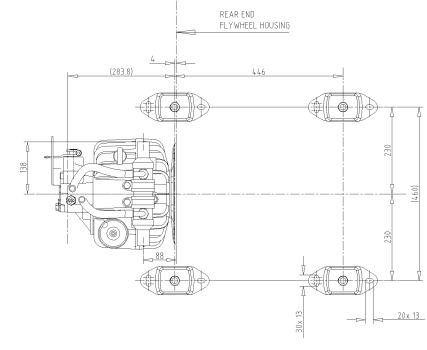


DIMENSION ON GEARBOX FLANGE



- 1 LIFTING DEVICE
- 3 EXHAUST ELBOW FOR HOSE ID 89
- 4 AIR FILTER
- 5 OIL FILLING
- 6 OIL DIPSTICK ENGINE
- 7 OIL FILTER
- 8 OIL DRAIN FOR PUMP; ENGINE
- 9 OIL DIPSTICK REVERSE GEAR
- 10 OIL FILLER CAP REVERSE GEAR
- 11 OIL DRAIN FOR PUMP; REVERSE GEAR
- 12 WATER INLET FOR HOSE ID 32
- 13 SEA WATER PUMP
- 14 WATER FILLER CAP FRESH WATER
- 15 HEAT WATER OUTLET
- 16 HEAT WATER INLET
- 17 FUEL CONNECTION FOR HOSE ID 9
- 18 FUEL RETURN CONNECTION FOR HOSE ID 9
- 19 FUEL FILTER
- 20 SPEED CONTROL LEVER
- 21 CONNECTION BOX FOR EXTENSION CABLE
- 22 BATTERY MINUS (-) CONNECTION
- 23 PLUS (+) CONNECTION FOR CHARGING DISTRIBUTOR
- 24 STARTER BATTERY PLUS (+) CONNECTION
- 25 GEAR SHFT CONTROL CABLE
- 26 AIR INLET SILENCER
- 27 WATER DRAIN, FRESH WATER
- 28 WATER DRAIN, SEA WATER
- 29 THROTTLE CONTROL CABLE

SCALE: 15 / 40
 ALL EQUIPMENT IS NOT STANDARD
 FOR MORE DETAILS SEE DRAWING ZF 335_400_010
 FOR MORE DETAILS SEE DRAWING VP 3591900

<p>SYMBOLS, DIMENSIONS AND GENERAL DRAWING REFERENCES: 139 810 0010</p> <p>ENGINE INSTALLATION</p> <p>02-75/2F35</p> <p>XXXXXXXXXXXX</p>		
<p>INSTALLATION DRAWING</p> <p>GBA Dept CB15200 Cell10.3</p> <p>SEM-160921-01</p>		
<p>VOLVO PENTA</p>		<p>Scale: A</p>