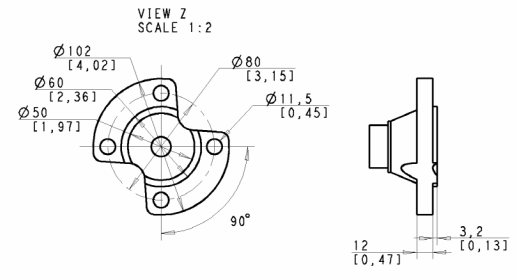
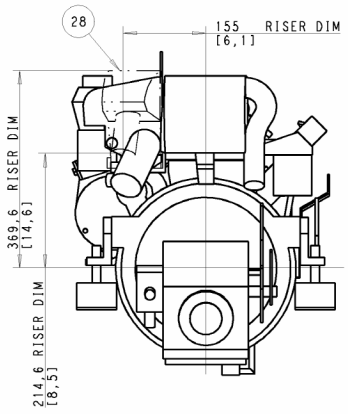
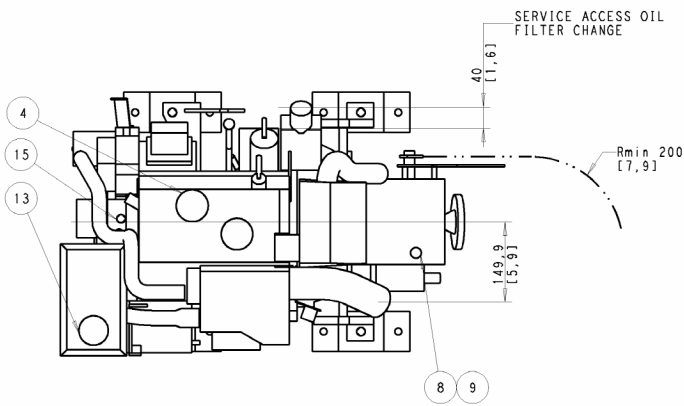
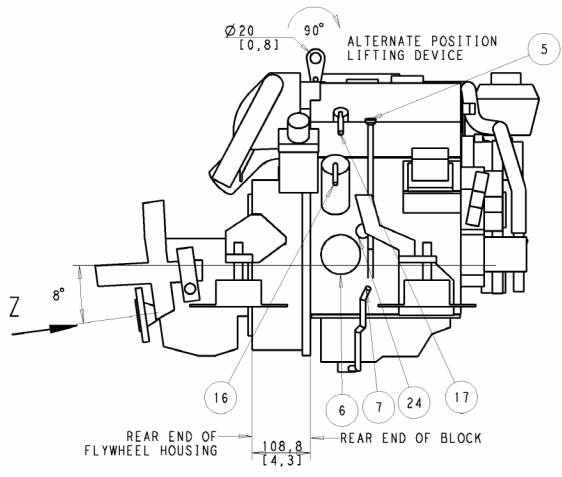
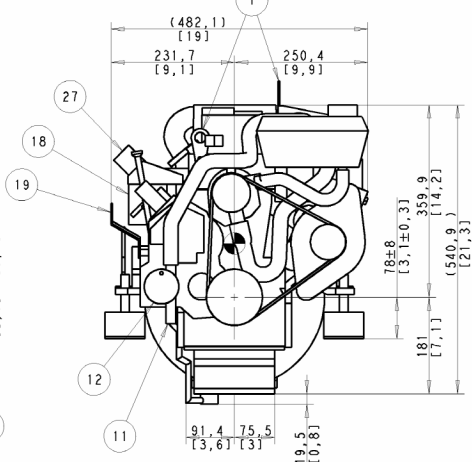
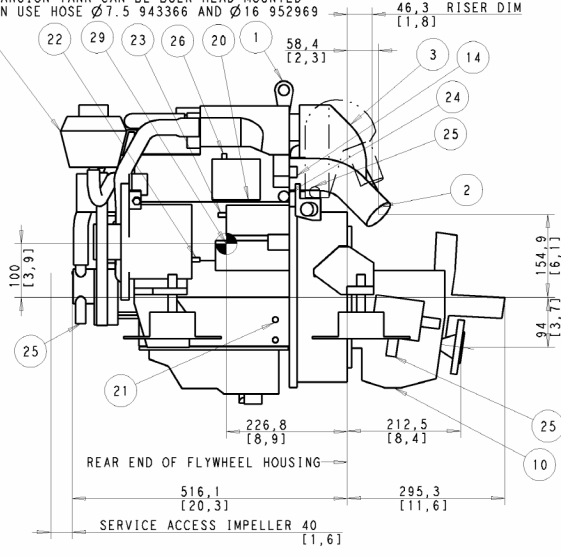


EXPANSION TANK CAN BE BULK HEAD MOUNTED THEN USE HOSE Ø7.5 943366 AND Ø16 952969

Engineering Release Notice (ERM)	Location	Change description	P/A:	Document release status
	Approved	Revised	D: 1.3 main	RELEASED
				Date
				Modification count



SCALE 1:5

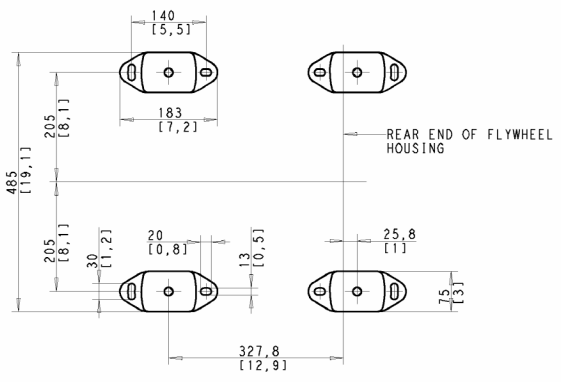
OIL CAPACITY INCLUDING OIL FILTER: 3.5 LITERS

FRESHWATER SYSTEM CAPACITY: 4.1 LITERS

WEIGHTS:
 DRY 140 kg
 OIL & WATER 147 kg

DIMENSION IN MILLIMETRES AND [INCHES]

NR	ITEM
1	LIFTING DEVICE
2	EXHAUST ELBOW FOR HOSE I.D 45[1,75]
3	AIR FILTER (SILENCER)
4	OIL FILLING
5	OIL DIPSTICK ENGINE
6	OIL FILTER
7	OIL DRAIN (WITH PUMP) ENGINE I.D 8 [0,35]
8	OIL DIPSTICK REVERSE GEAR
9	OIL FILLER CAP REVERSE GEAR
10	OIL DRAIN REVERSE GEAR
11	SEAWATER INLET FOR HOSE I.D 19[0,75]
12	SEA WATER PUMP
13	WATER FILLER CAP FRESH WATER
14	HOTWATER OUTLET
15	HOTWATER INLET
16	FUEL CONNECTION FOR HOSE I.D 10 [3/8]
17	FUEL RETURN CONNECTION FOR HOSE I.D 10 [3/8]
18	FUEL FILTER
19	SPEED CONTROL LEVER
20	CONNECTION BOX FOR EXTENSION CABLE
21	BATTERY MINUS (-) CONNECTION
22	PLUS (B+) CONNECTION FOR CHARGING DISTRIBUTOR
23	STARTER BATTERY PLUS (+) CONNECTION
24	WATER DRAIN FRESH WATER
25	WATER DRAIN SEAWATER
26	AUTOMATIC FUSE RESET
27	HAND PRIMER PUMP
28	RISER (OPTIONAL)
29	CENTRE OF GRAVITY



SYMBOLS, DESIGNATIONS AND GENERAL DRAWING METHODS: STD 101-5005 AND STD 5023-505

Document title: ENGINE DIMENSIONS D1-30/MS15A

Document type: DIMENSION DRAWING

Document No: 3591391

Issue status: 01

Sheet No: 1(1)

VOLVO PENTA