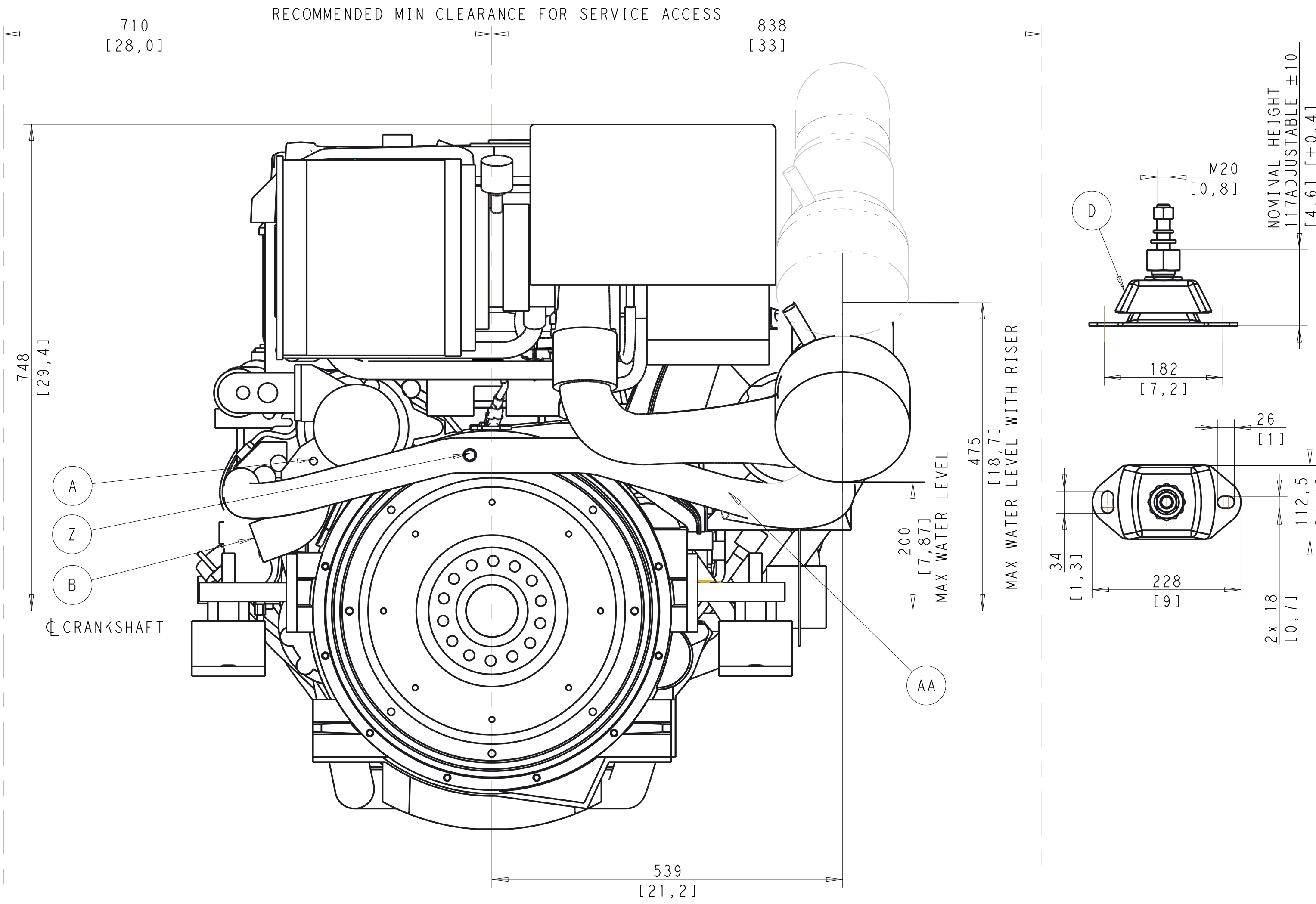
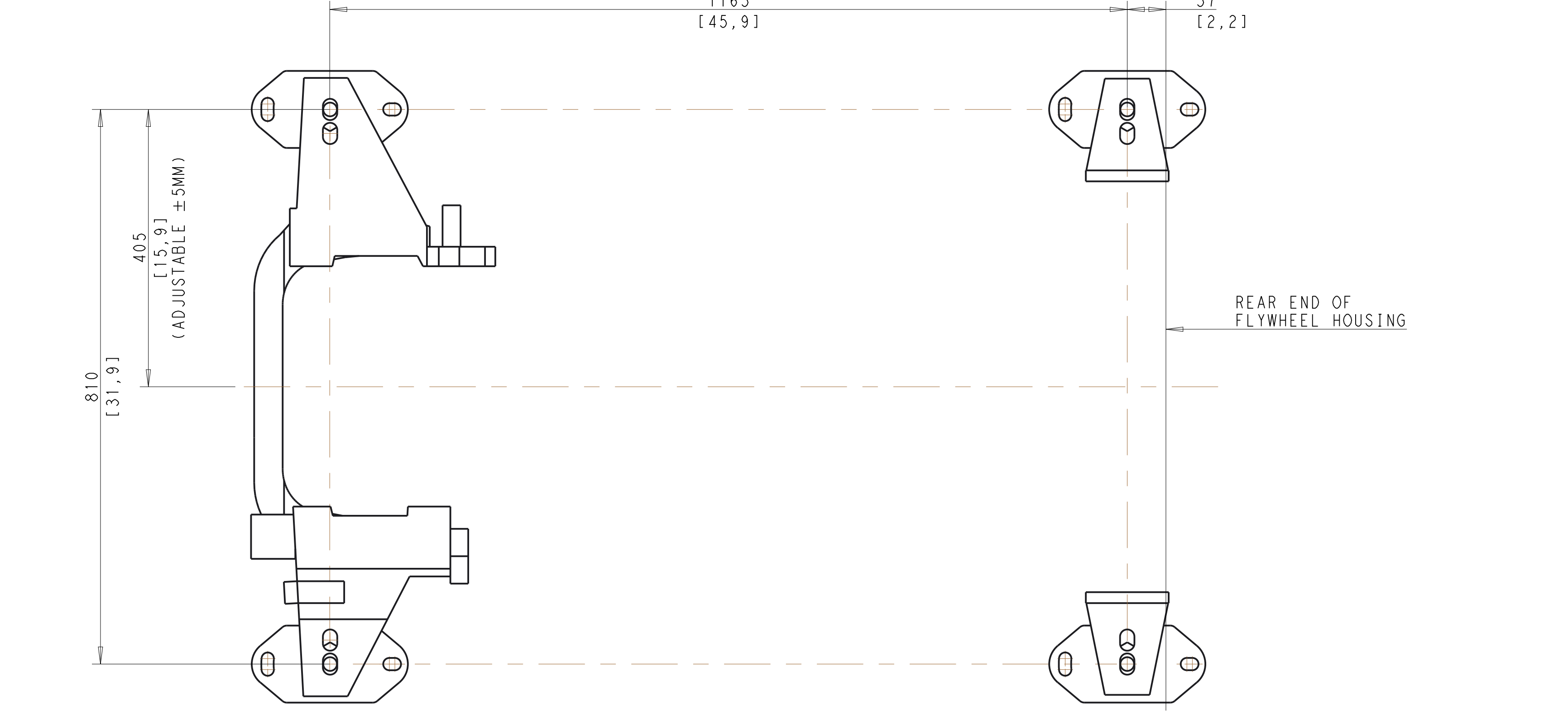
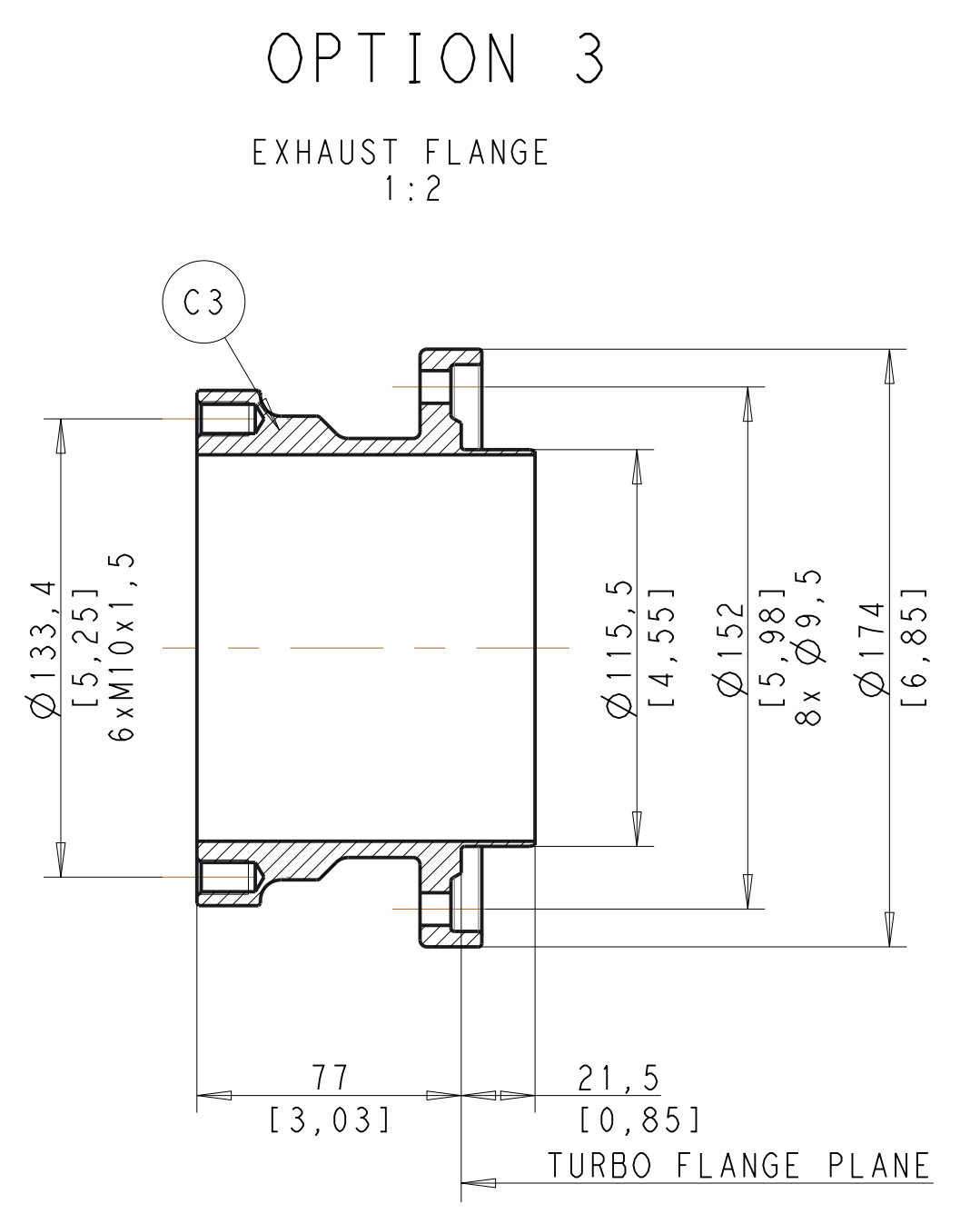
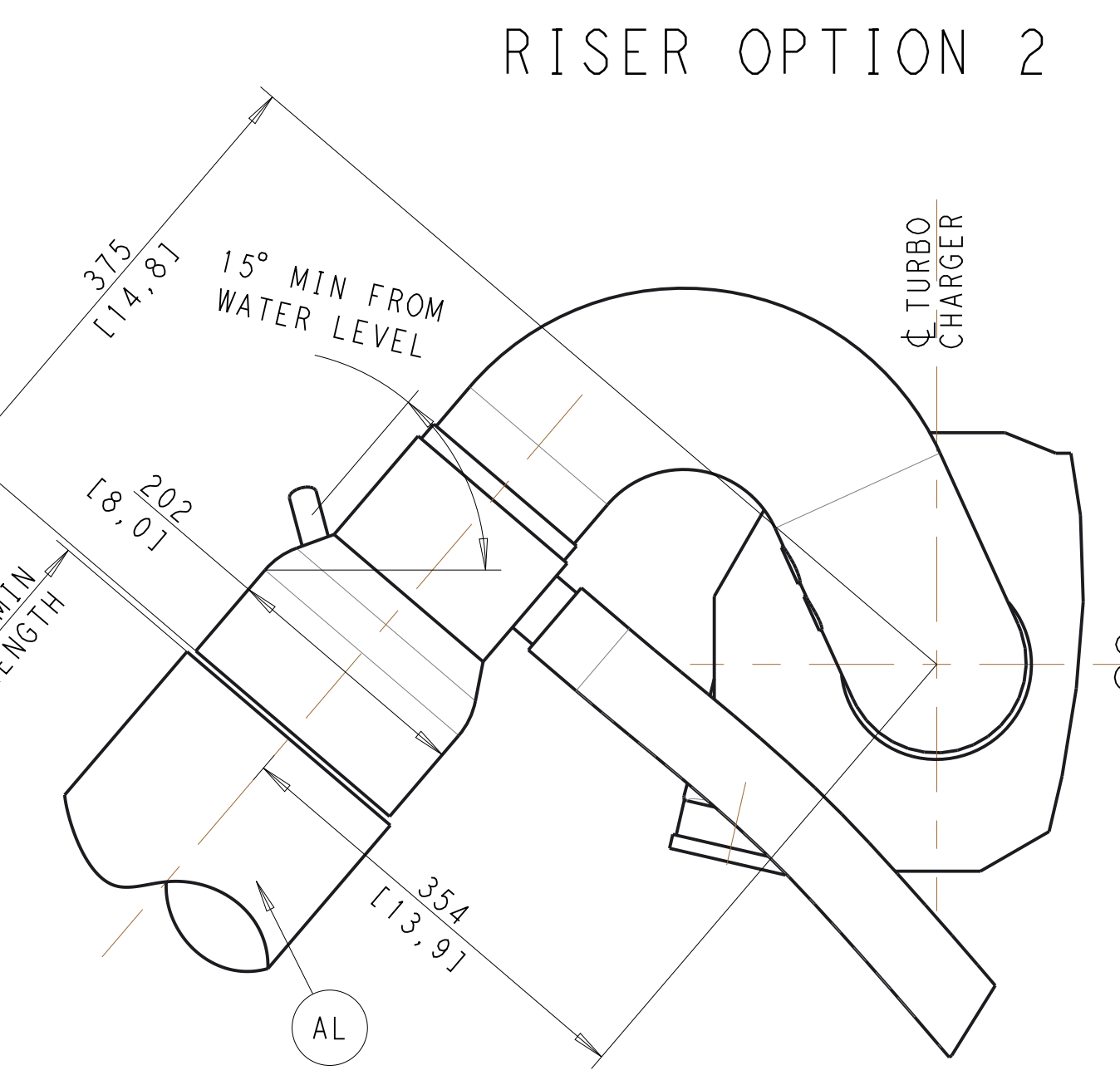
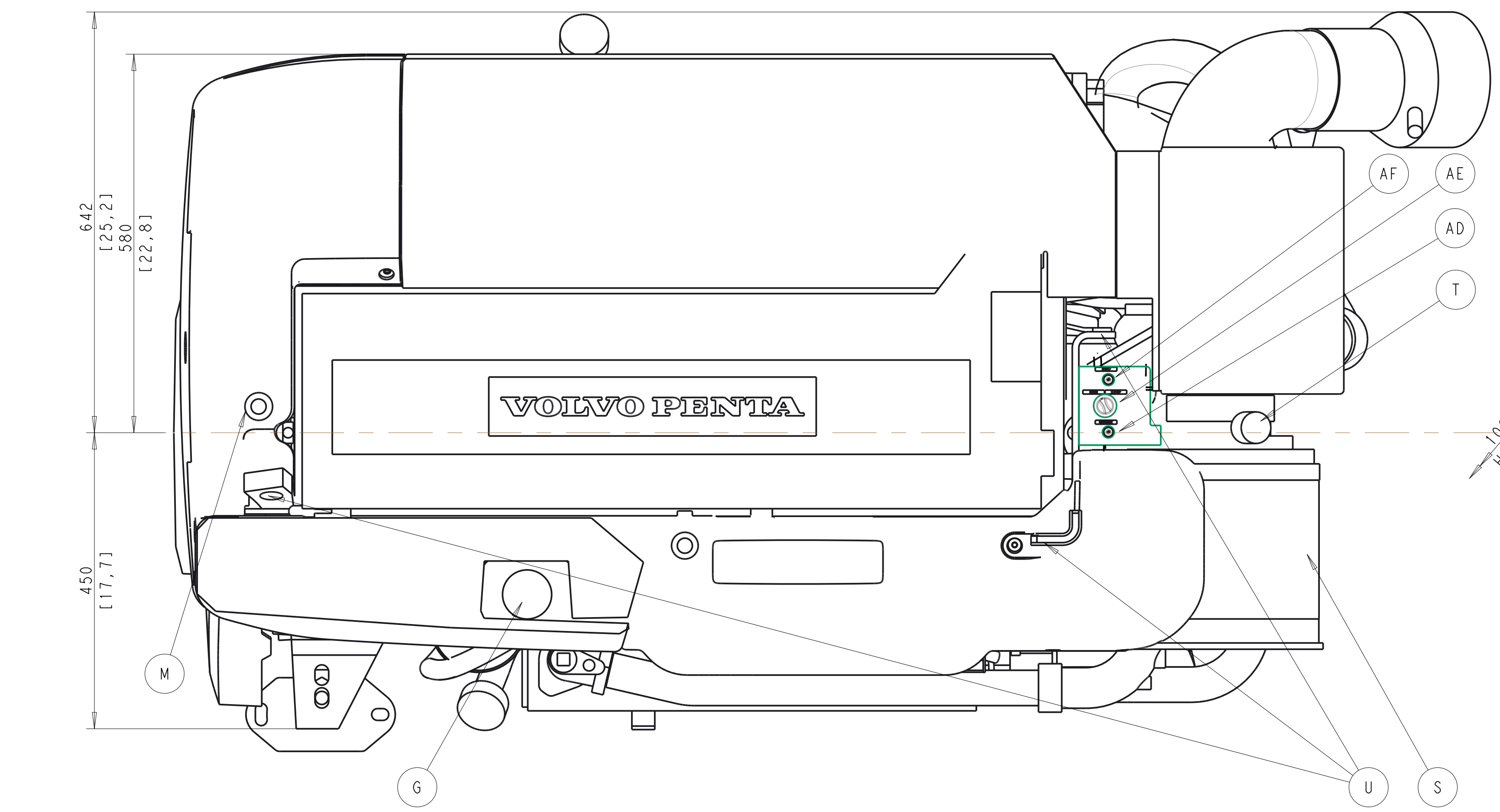


- A SEA WATER DRAIN POINT, x2
- B SEA WATER INLET, CONNECTION FOR 63 mm (2 1/2") I.D. HOSE
- C1 WET EXHAUST BEND, OPTION 1
- C2 WET EXHAUST BEND WITH RISER, OPTION 2
- C3 EXHAUST FLANGE, OPTION 3, MAX LOAD 9KG
- D FLEXIBLE SUSPENSION, STANDARD EQUIPMENT
- E1 OIL DIPSTICK AND FILLING ENGINE STARBOARD SIDE ALTERNATIVE
- E2 OIL DIPSTICK AND FILLING ENGINE PORT SIDE ALTERNATIVE
- F OUTLET FOR OIL BILGE PUMP (M18x1,5)
- G FRESH WATER FILLING (EXPANSION TANK)
- H FRESH WATER DRAIN POINT (x5)
- I OIL FILTER 2x
- J BYPASS OIL FILTER
- K FUEL FILTER
- L PRIMER PUMP
- M FUEL DEAIRATION
- N DIAGNOSE CONNECTION (6-POLE)
- P DATALINK CONNECTION (8-POLE)
- R1 CONNECTION BATTERY POS.
- R2 CONNECTION BATTERY NEG.
- S AIR FILTER
- T PRESSURE DROP INDICATOR, AIR FILTER
- U LIFTING EYE, 3x (Ø30 MIN. FRONT EYE REMOVABLE)
- V HOSE CONNECTION HOT WATER OUTLET R1/2" I.D. HOSE, OPTIONAL EQUIPMENT
- W HOSE CONNECTION HOT WATER INLET R1/2" I.D. HOSE, OPTIONAL EQUIPMENT
- X FUEL CONNECTION INLET 1/4"-18 NPTF
- Y FUEL CONNECTION OUTLET 1/4"-18 NPTF
- Z PRESSURE LUBRICATION OF PROP SHAFT (1/4-18NPSF)
- AA SEA WATER OUTLET FOR 2 1/8" I.D. HOSE (O.D. 54mm)
- AB EXTERNAL STOP CONNECTION
- AC CAN2 CONNECTION
- AD AUTOMATIC FUSE, 10A (ENGINE)
- AE STOP SWITCH
- AF AUTOMATIC FUSE, 10A (EVC)
- AG OIL INLET ON OIL COOLER (ISO-G 1/2)
- AH OIL OUTLET ON OIL COOLER (ISO-G 1/2)
- AI OIL DIPSTICK AND FILLING TRANSMISSION
- AK EMERGENCY SHIFTING
- AL HOSE WET EXHAUST I.D. 8" (205mm)



SCALE 1:5
 DIMENSIONS IN MILLIMETRE AND INCHES

SYMBOLS, DESIGNATIONS AND GENERAL DRAWING METHODS STD 101-0005

The copying, distribution and utilization of this document as well as the completion of its contents to other persons without the prior written permission of Volvo Penta is prohibited. Offenders shall be held liable for damages. All rights reserved to the best of the grant of patent, utility model or unexamined design registration.

Document title: ENGINE DIMENSIONS
 D13 1000HP
 BOSTAIL
 Document type: DIMENSION DRAWING
 Over: dimension Drawing

Document No: 23026999 Issue Index: 05 Sheet No: 1(1)

VOLVO PENTA