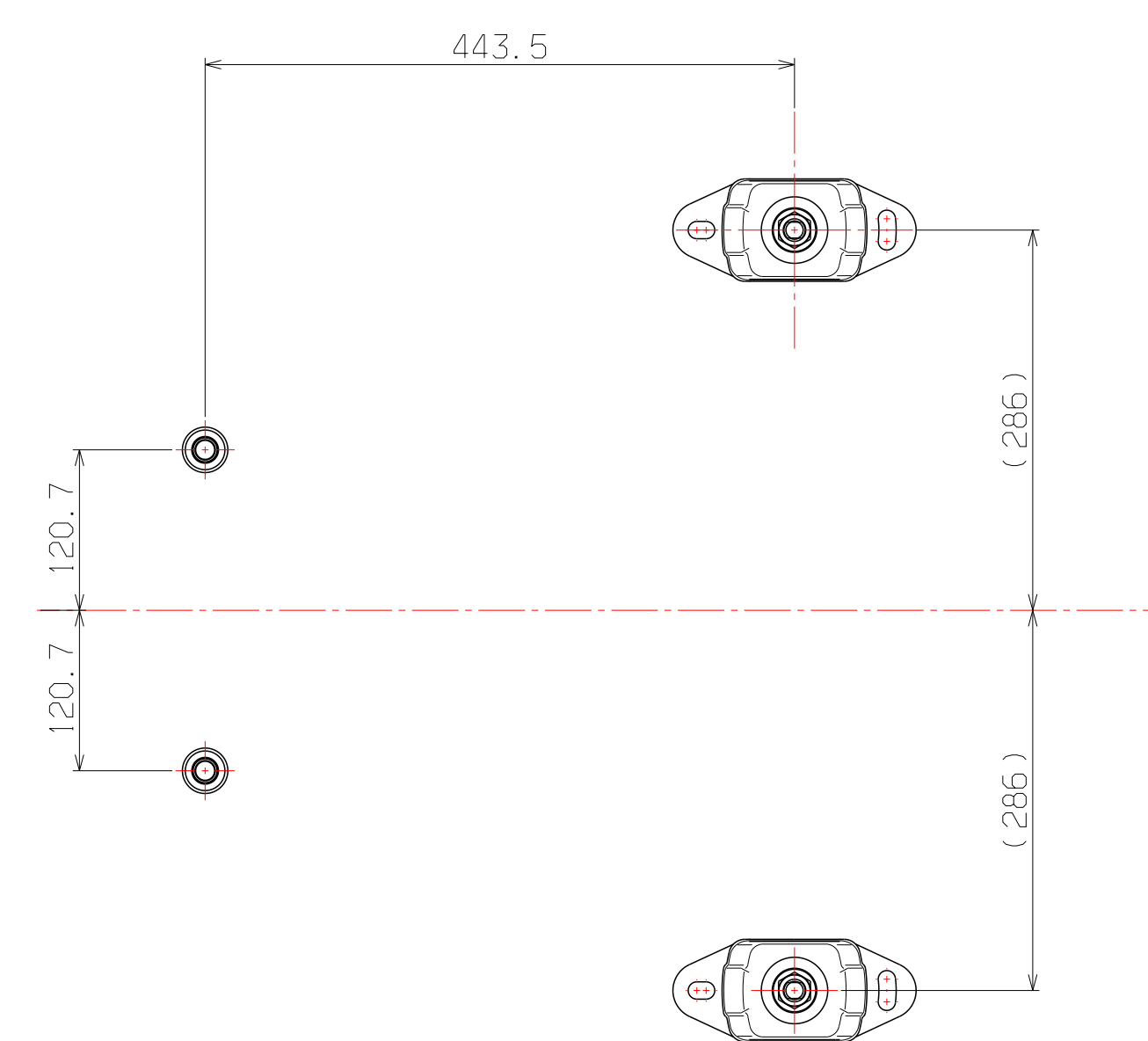
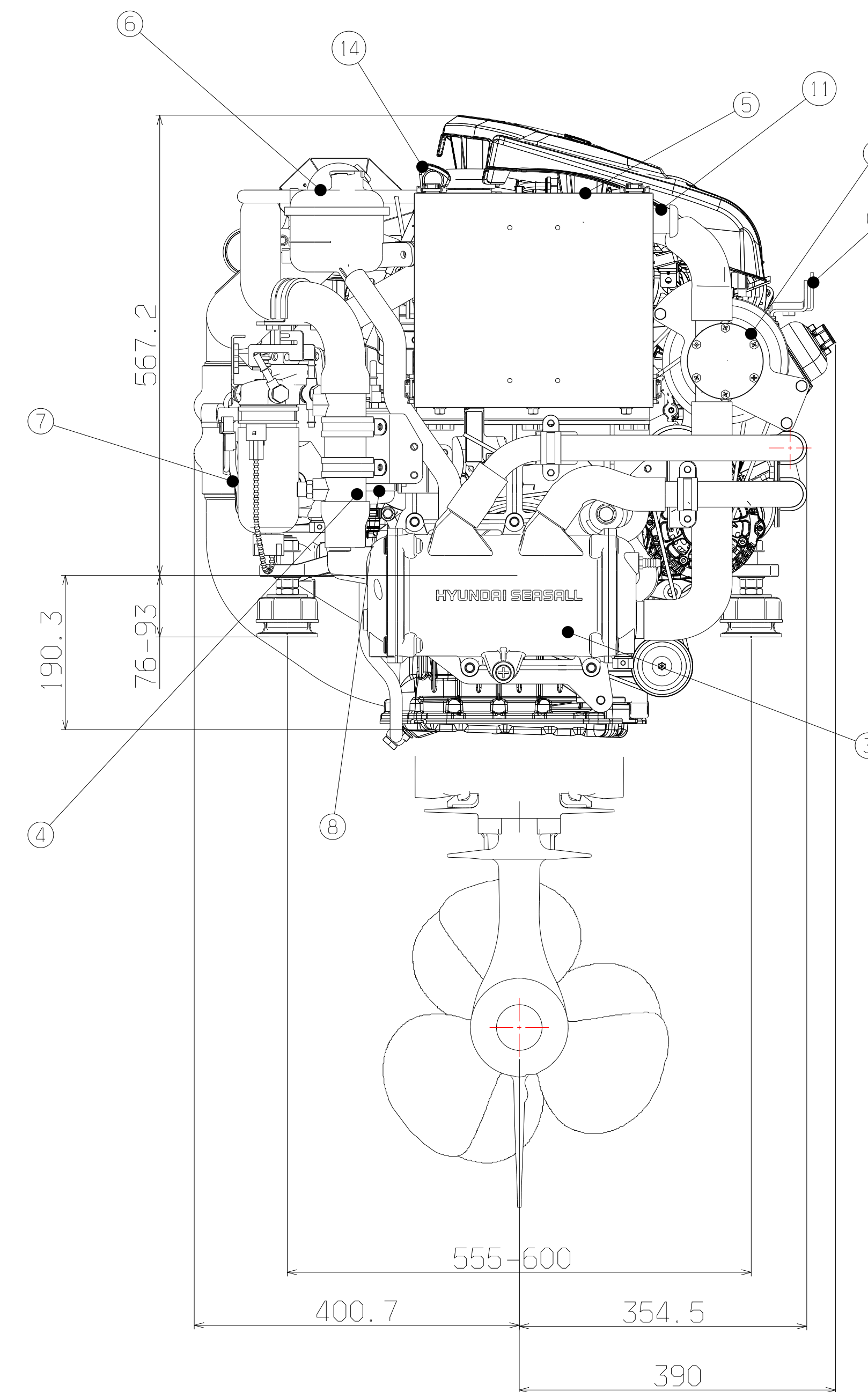
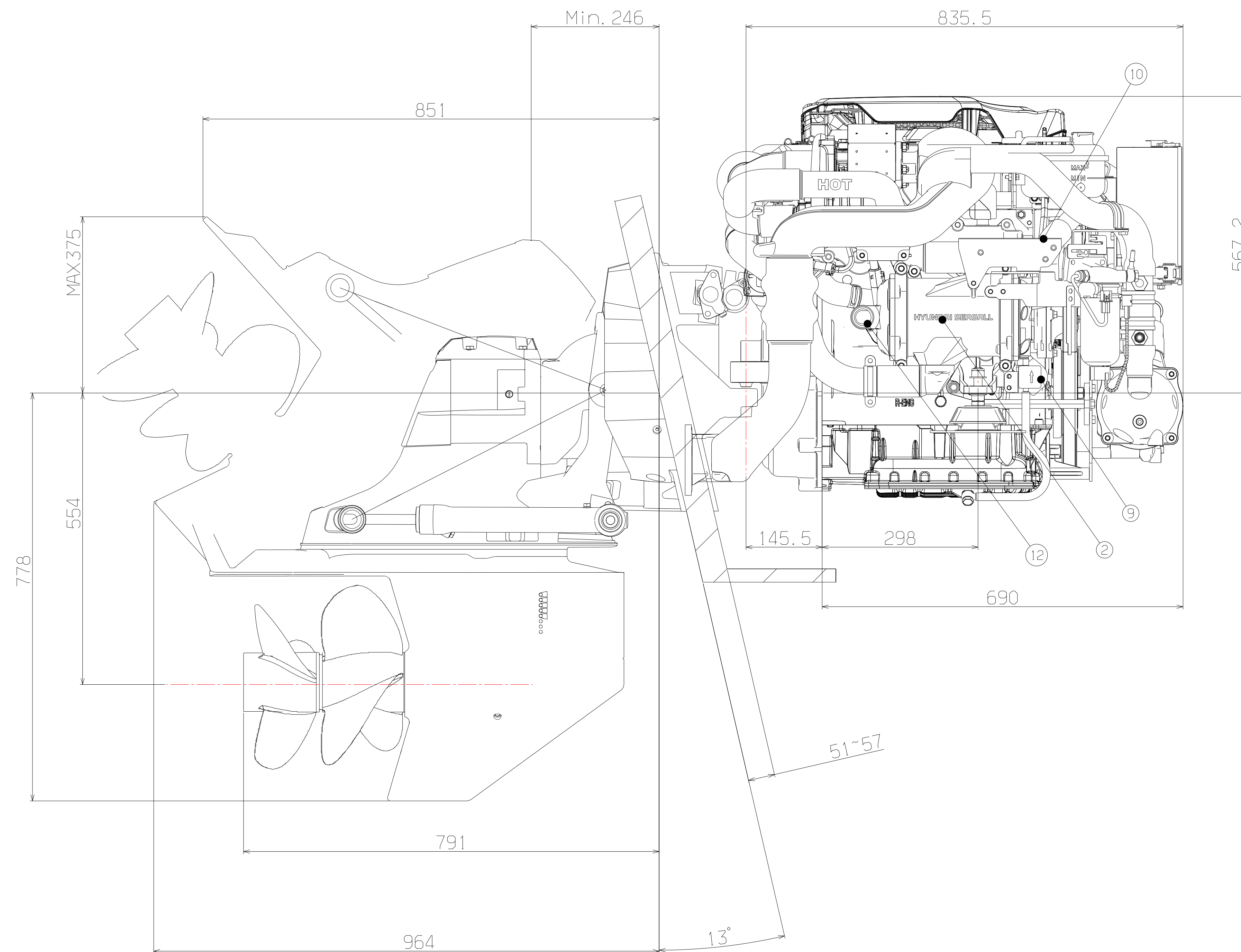


03900-2R003 A0

GENERAL TOLERANCE

DIM	ANGLE		
1 ~ 6	±0.1	0 ~ 10	±1'
6 ~ 30	±0.2	10 ~ 50	±0.5'
30 ~ 120	±0.3	50 ~ 120	±0.3'
120 ~ 400	±0.5	120 ~ 400	±0.1'
400 ~ 1000	±1.0		

No	DATE	REVISION	EO NUMBER
1	20151012	RELEASED	HWANG, J. S
2	20160316	ADDED DIM.	KIM, C. Y



- ① SEAWATER PUMP
- ② INTERCOOLER
- ③ HEAT EXCHANGER
- ④ GEARBOX OIL COOLER
- ⑤ ECU CASE WITH ENGINE CONTROL UNIT & RELAY ASSY
- ⑥ COOLANT EXPANSION TANK
- ⑦ FUEL FILTER
- ⑧ FUEL PUMP FROM FUEL TANK (LOW PRESSURE) : $\phi 8\text{mm}$
- ⑨ ELECTRIC ENGINE OIL DRAIN PUMP
- ⑩ BRACKET FOR SHIFTING POSITION
- ⑪ EMERGENCY ENGINE STOP SWITCH
- ⑫ SEAWATER HOSE CONNECTION : $\phi 40\text{mm}$
- ⑬ ACCEL POSITION SENSOR WITH THROTTLE CABLE CONNECTION
- ⑭ ENGINE OIL LEVEL GAUGE

NOTES

1. 치수 따지 말 것. (DO NOT SCALE)

QTY	QTY No.	PART No.	PART NAME	MTR.	REMARK
현대세아조선주식회사 HYUNDAI SEASALL Co.					
설계 (DESIGNED)	검核 (CHECKED)	승인 (APPROVED)	비율 (SCALE)	분류 (CLASS)	단위 (UNIT)
황재석	김형영	1/1	본공 (DO NOT SCALE)	0.00	0.00
품명 (PART NAME) R200S+BRAVO3X 인스톨 도면 R200S+BRAVO3X INSTALLATION DRAWING					
도번 (PART NO.) 03900-2R003					