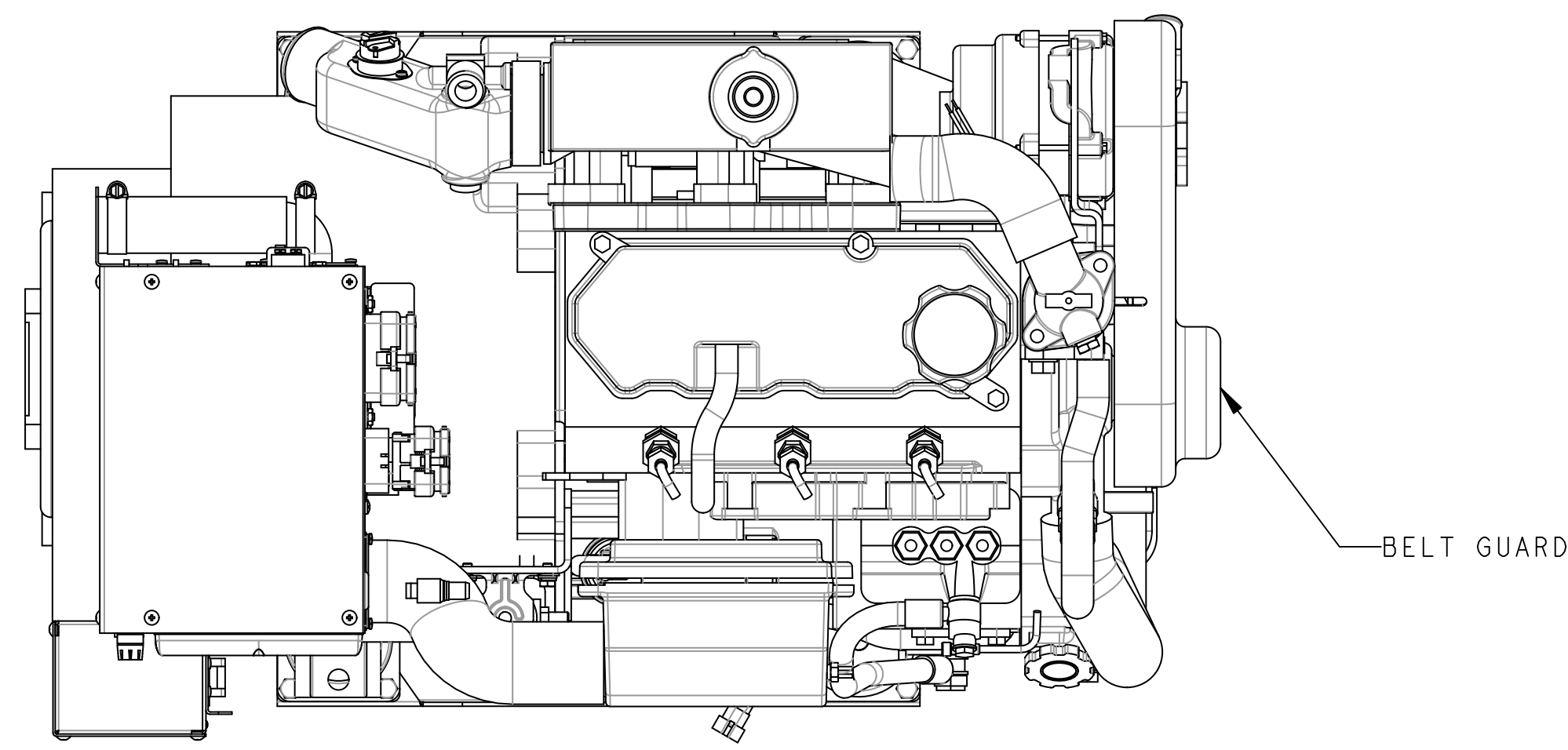
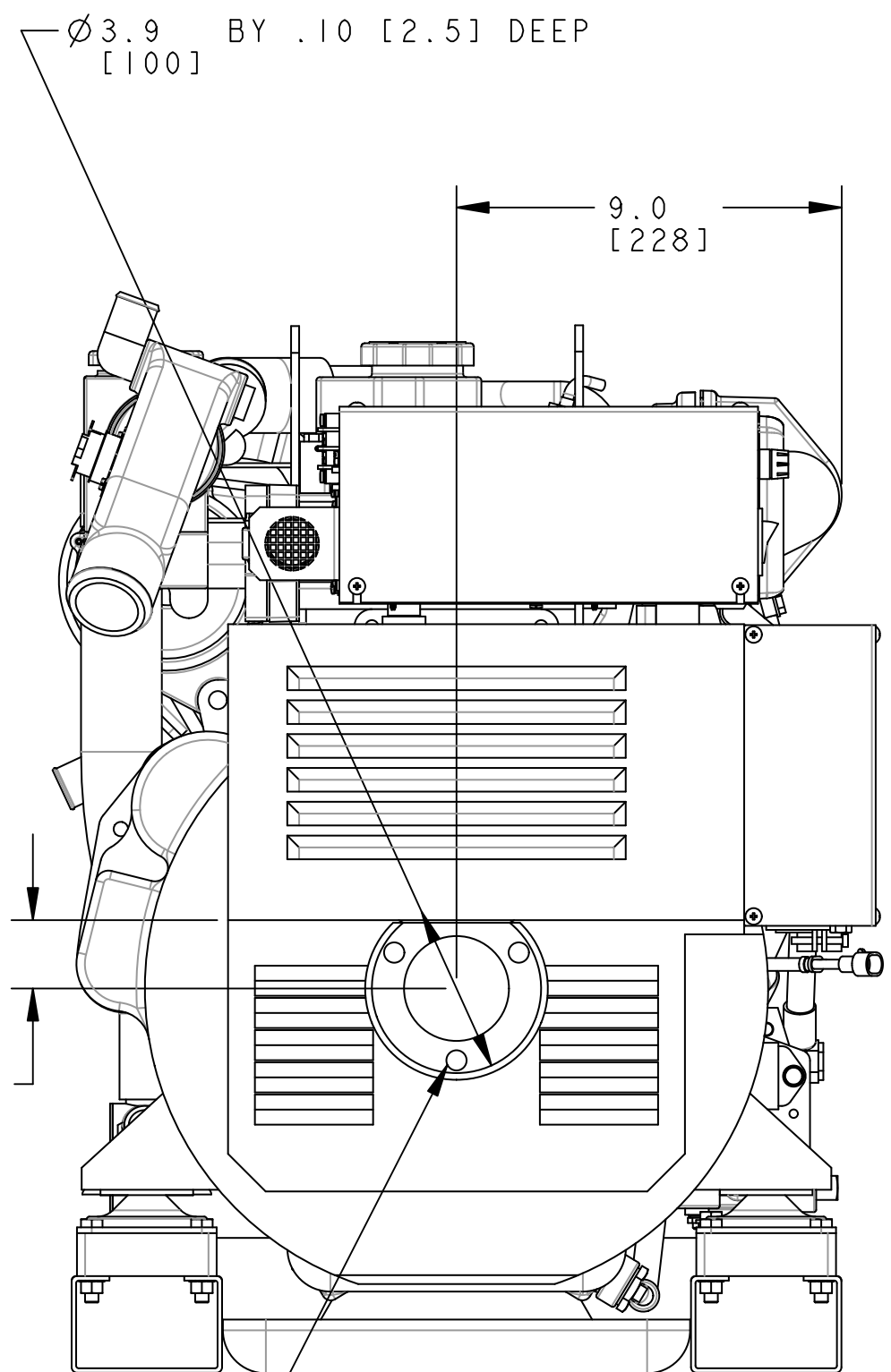


ECO NO.	DATE	REV.	REVISION RECORD	AUTH.	DR. BY
6601	2-11-2009	A	CHANGE TITLE SHOWING DIFFERENT MODELS. REMOVE 50Hz MODEL.		GA
7077	7-3-2014	B	ADD MODEL 11.0/8.8 EDT		GA



BELT GUARD



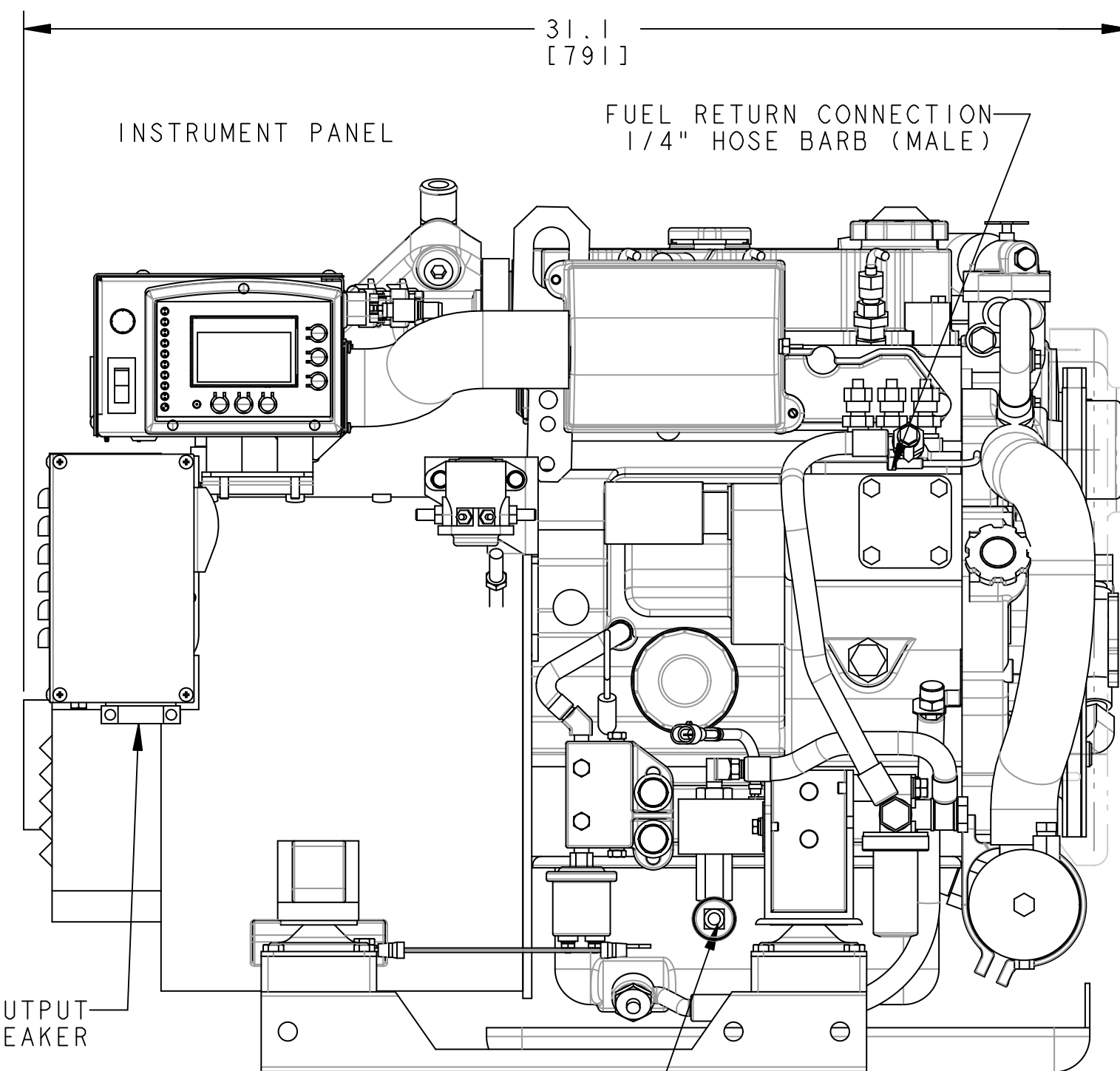
Ø3.9 BY .10 [2.5] DEEP [100]

9.0 [228]

1.6 [40]

AC OUTPUT CIRCUIT BREAKER

M12x.75 THREAD, 1.0 [25.4] DEEP (3) HOLES EQUALLY SPACED ON A Ø3.34 [85.0] B.C.



INSTRUMENT PANEL

FUEL RETURN CONNECTION 1/4" HOSE BARB (MALE)

FUEL INLET CONNECTION 1/8-27 NPT (FEMALE)

31.1 [791]

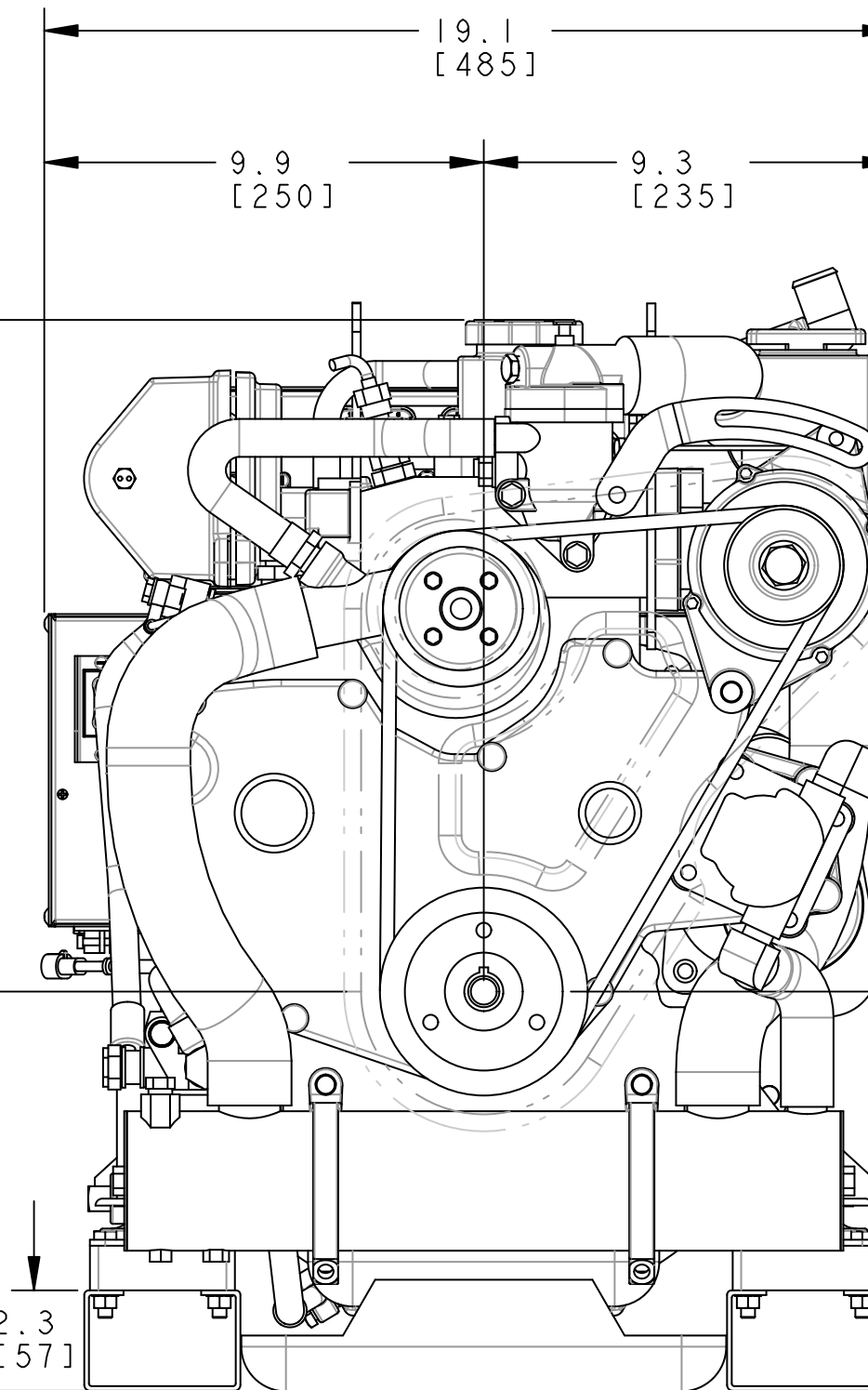
.6 REF [15]

AC OUTPUT CIRCUIT BREAKER

24.0 [609]

PLASTIC DRIP TRAY

15.1 [382]



19.1 [485]

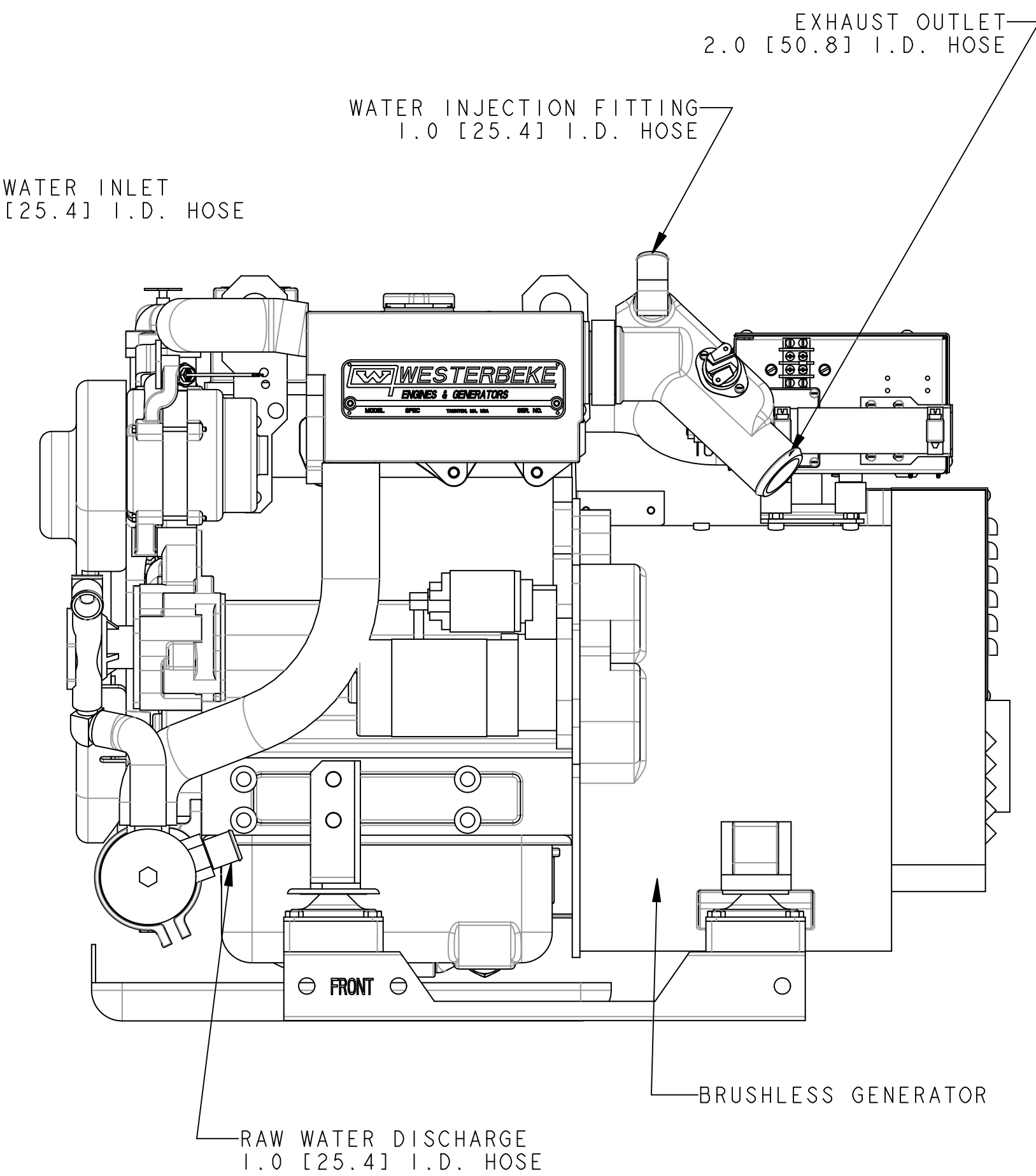
9.9 [250]

9.3 [235]

RAW WATER INLET 1.0 [25.4] I.D. HOSE

2.3 [57]

8.9 [227]

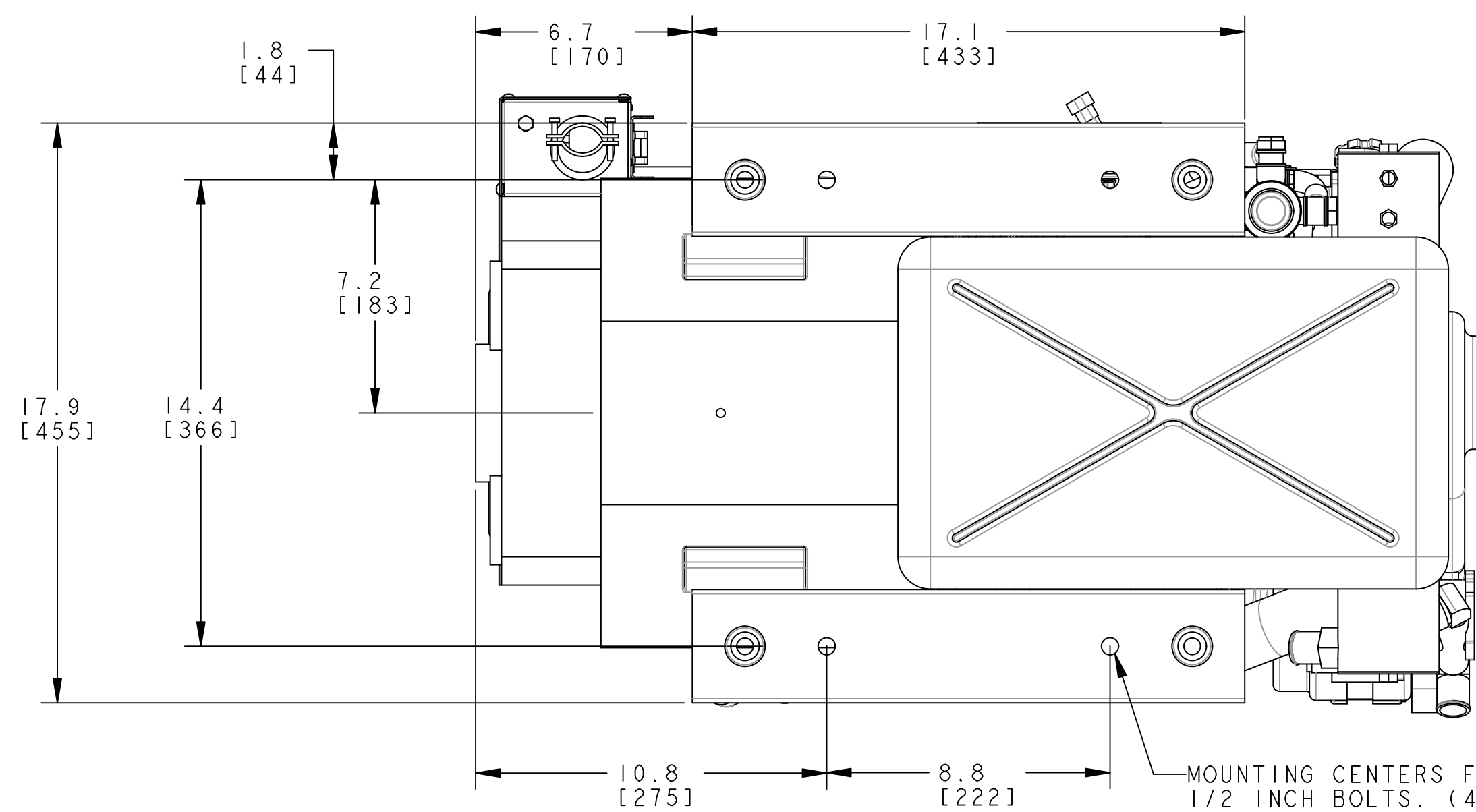


WATER INJECTION FITTING 1.0 [25.4] I.D. HOSE

EXHAUST OUTLET 2.0 [50.8] I.D. HOSE

RAW WATER DISCHARGE 1.0 [25.4] I.D. HOSE

BRUSHLESS GENERATOR



1.8 [44]

6.7 [170]

17.1 [433]

17.9 [455]

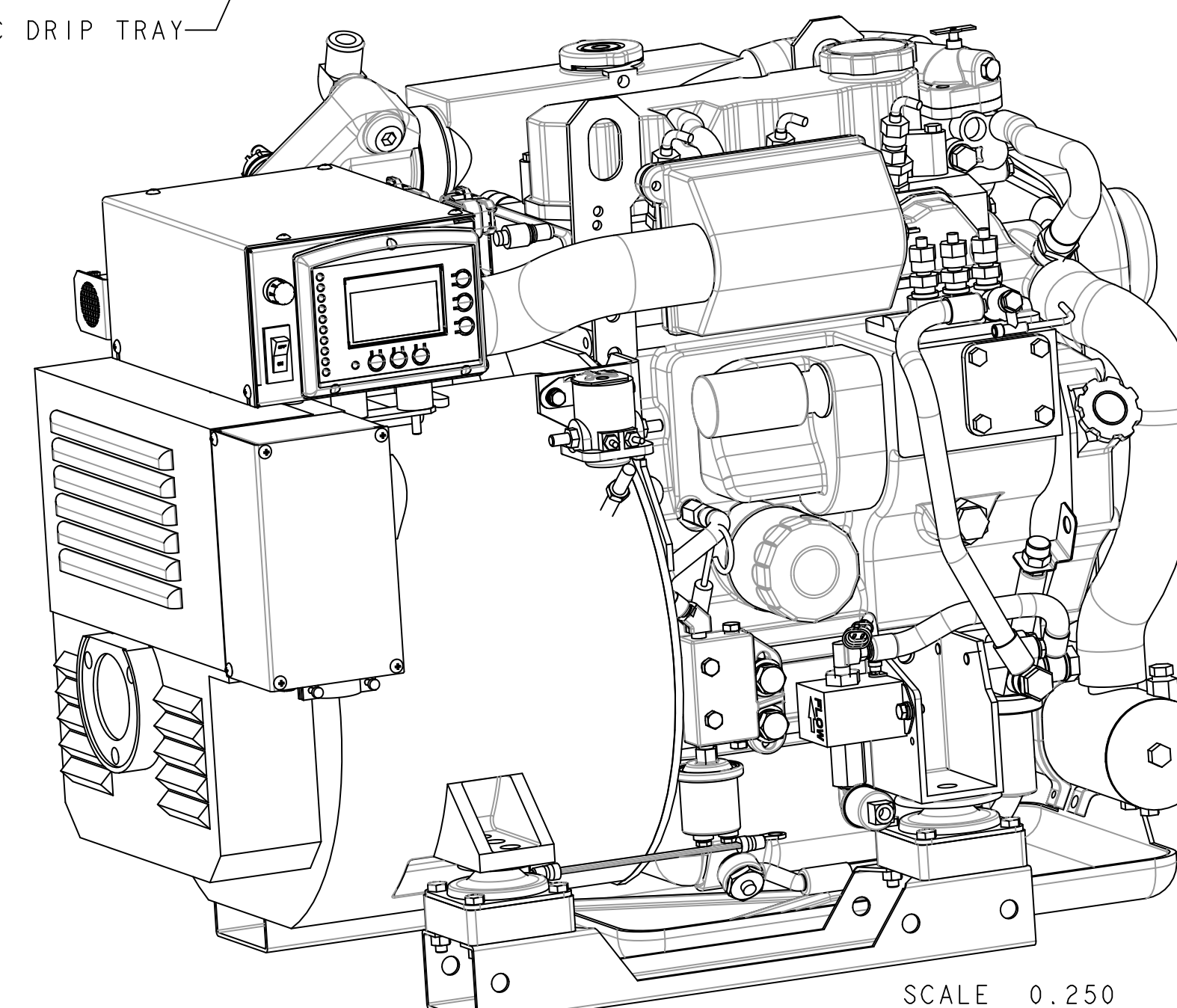
14.4 [366]

7.2 [183]

10.8 [275]

8.8 [222]

MOUNTING CENTERS FOR 1/2 INCH BOLTS (4 HOLES)



SCALE 0.250

MODEL:
 10.0 EDT 60Hz / 7.5 EDT 50Hz
 11.0 EDT 60Hz / 8.8 EDT 50Hz
 11.5 EDT 60Hz / 9.2 EDT 50Hz
 12.6 EDT 60Hz / 10.4 EDT 50Hz

MODEL WITH 50 AMP ALTERNATOR

TOLERANCES (UNLESS OTHERWISE NOTED)		WESTERBEKE	
INCHES	MILLIMETERS	TITLE	
.XX : .02	X. ± 1.0	INSTALLATION DRAWING	
.XXX : .005	.X ± .5	---	
CAST : .03	.XX ± .13	---	
ANGLES : 5°		---	
FINISH : S		---	
DIMENSIONS		MATERIAL:	
INCHES		DRAWN BY: GA	
MILLIMETERS		DATE: 3/May/07	
(WHEN APPLICABLE)		APPROVED BY: DATE:	
SCALE 0.250		SIZE: DRAWING NUMBER:	
SHT. 1 OF 1		REV.:	
D		53418	
		B	