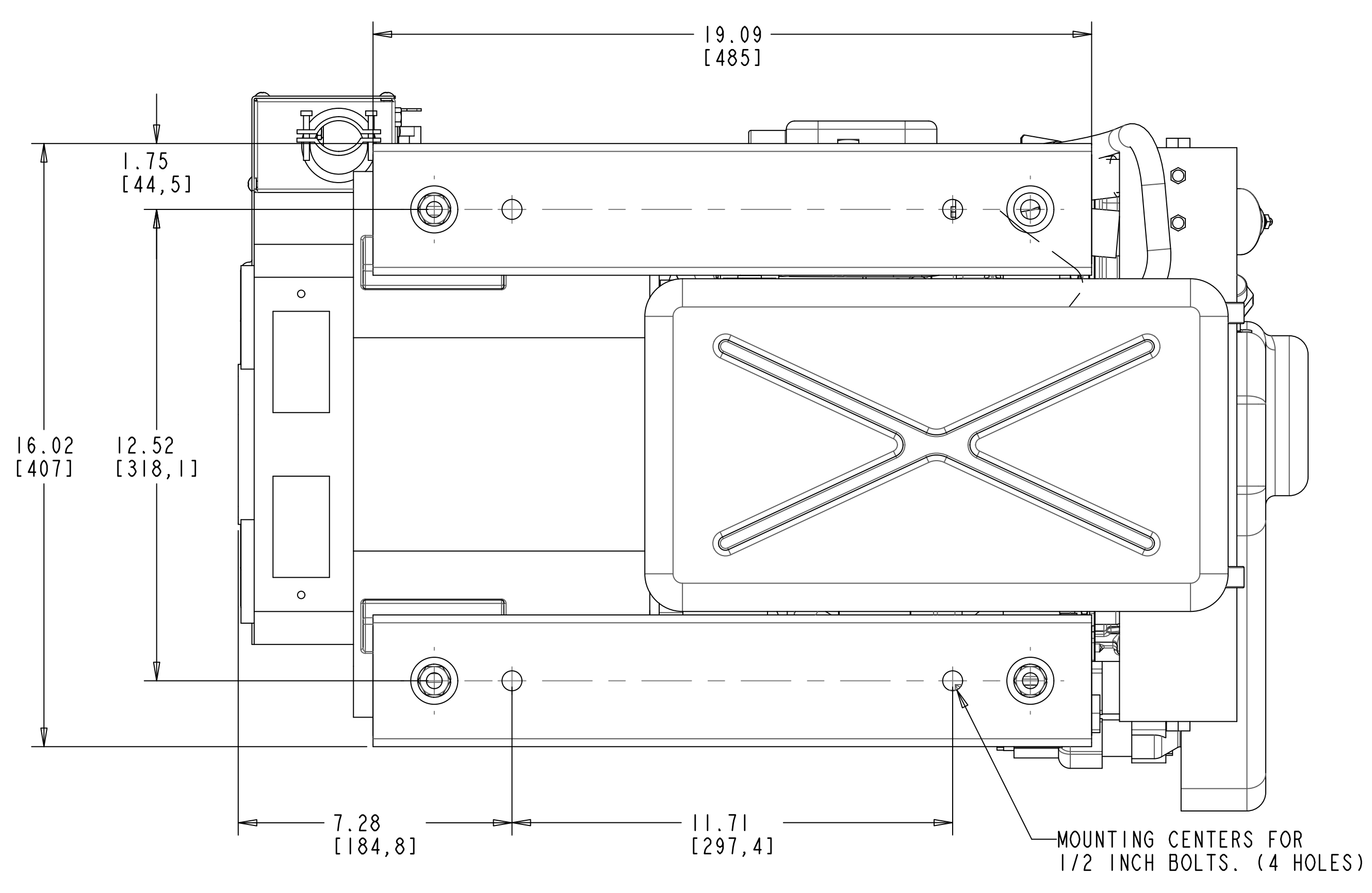


PTO PILOT BORE  
Ø3.937 [100]  
X .10 [2.5] DEEP

M12 X .75 THREAD, 1.0 (25.4) DEEP  
(3) HOLES EQUALLY SPACED ON A  
Ø2.75 [69.9] B.C.



SPECIAL FUEL RETURN CONNECTION  
SUPPLIED, 1/4 INCH-HOSE-MALE BARB

FUEL INLET CONNECTION  
1/8-27 N.P.T. (FEMALE)

RAW WATER INLET 1.0 (25.4) I.D. HOSE

PLASTIC DRIP TRAY

MOUNTING CENTERS FOR  
1/2 INCH BOLTS. (4 HOLES)

TOLERANCES (UNLESS OTHERWISE NOTED)		<b>WESTERBEKE</b>	
INCHES	MILLIMETERS	TITLE	
.XX ± .005	X ± .13	DGINSTALL GEN 7.6 EGTD	
.XX ± .005	.XX ± .13	DRAWN BY	DATE
ANGLES ± .2°		APPROVED BY	DATE
FINISH		SCALE 0.380	SIZE DRAWING NUMBER
		SHT. 1 of 2	<b>E 56288</b>