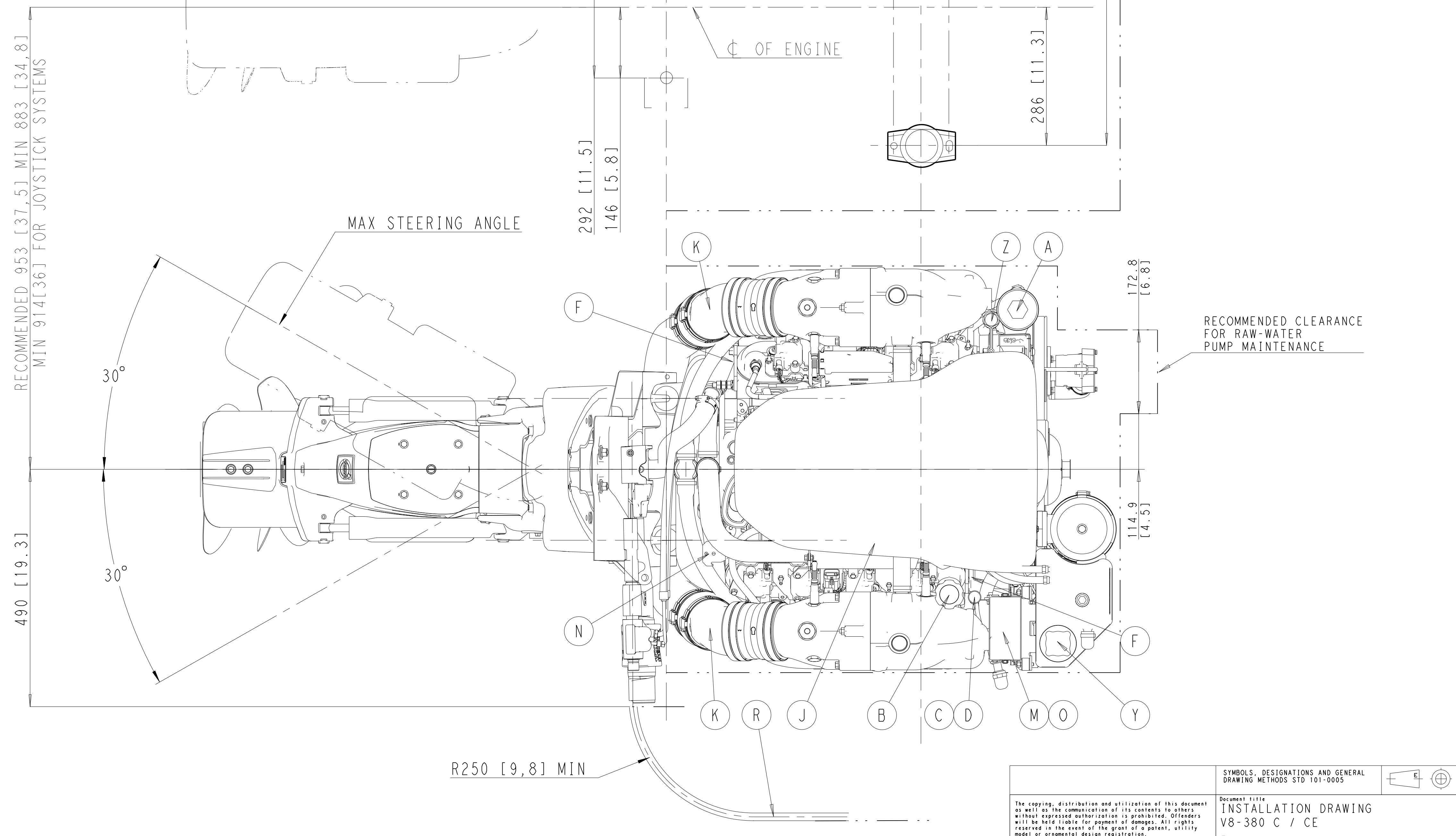
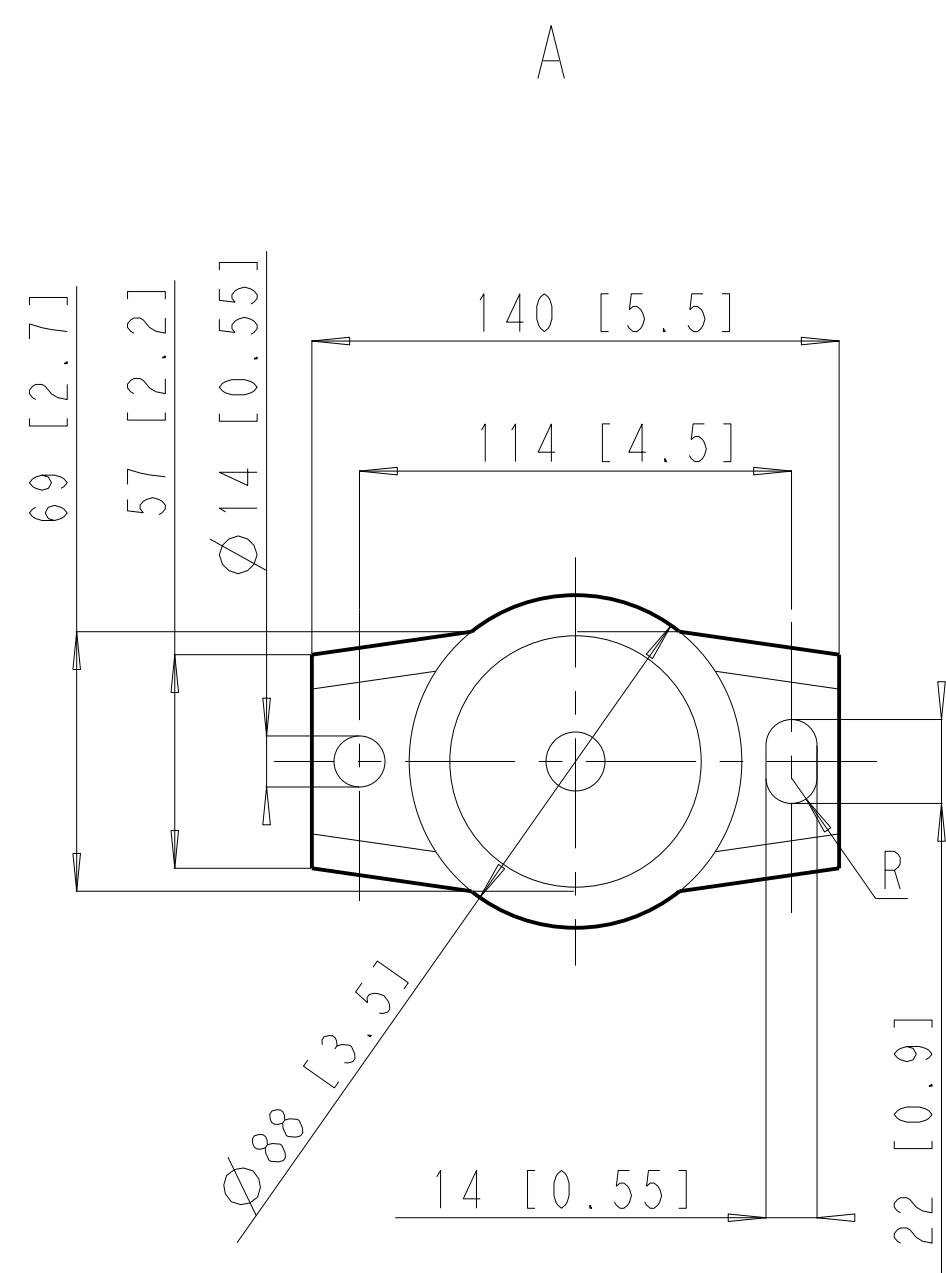


ALTERNATIVE METHOD FOR ENGINE MOUNT:  
PRE-DRILL STRINGERS USING Ø9 [Ø11/32] FOR  
PILOT TO DEPTH EQUIVALENT TO PENETRATION  
OF SCREW AND Ø13 [Ø1/2] C'BORE IF NECESSARY.  
ONLY TO DEPTH REQUIRED TO CLEAR SCREW SHANK.

STRINGERS MAY HAVE TO BE RELIEVED FOR  
EXHAUST PIPE CLEARANCE. 2 PLACES.

LETTER	NAME
A	OIL FILTER, ENGINE
B	OIL FILL, ENGINE
C	OIL DRAIN, ENGINE
D	OIL DIPSTICK, ENGINE
E	WATER DRAIN
F	LIFTING DEVICE
G	FUEL CONNECTION, I.D. 9,5 [3/8] NPT OR 6,35 [1/4] NPT
H	FUEL FILTER
I	ELECTRICAL FUEL PUMP
J	THROTTLE CABLE SINGLE
K	WATER COOLED EXHAUST PIPE FOR HOSE I.D. 98,4 [3 7/8"]
L	STARTER MOTOR
M	FUSE PANEL
N	ELECTRICAL CONNECTION ENGINE - INSTRUMENT PANEL
O	CIRCUIT BREAKER FOR TRIM PUMP
P	OIL FILL, POWER STEERING
R	STEERING CABLE
S	WATER INTAKE
T	OIL FILL, OUTBOARD UNIT
U	OIL DRAIN, OUTBOARD UNIT
V	OIL DIPSTICK, OUTBOARD UNIT
X	SEE INSTALLATION INSTRUCTIONS
Y	COOLANT FILL AND LEVEL CHECK
Z	ENGINE FLUSH
AC	ANODE, EXHAUST RISERS (BOTH SIDES)



RECOMMENDED CLEARANCE  
FOR RAW-WATER  
PUMP MAINTENANCE

SYMBOLS, DESIGNATIONS AND GENERAL DRAWING METHODS STD 101-0005

The copying, distribution and utilization of this document as well as the completion of its contents is allowed only for the specific purpose for which it was prepared. No other use is permitted. Offenders shall be liable to the extent of the patent, utility model or trademark design registration.

Document title  
**INSTALLATION DRAWING  
V8-380 C / CE**

Document type

Clear domain Document profile

Document No  
**21803207**

Issue index  
**01**

Sheet No  
**1(1)**

**VOLVO PENTA**