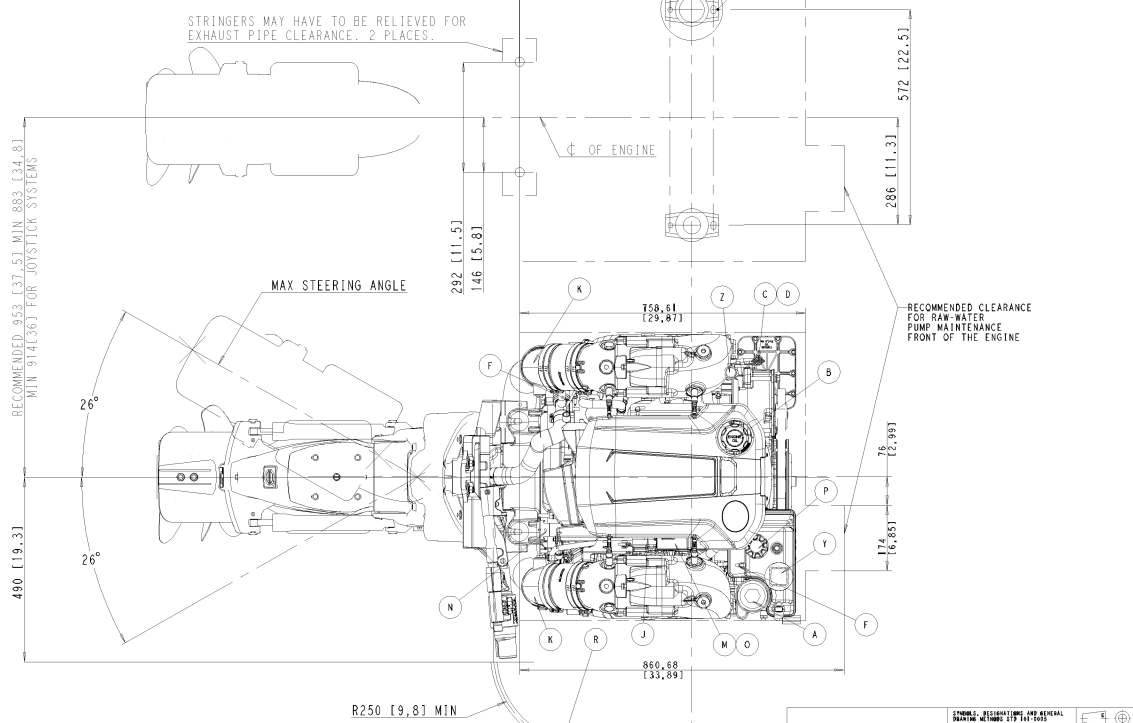
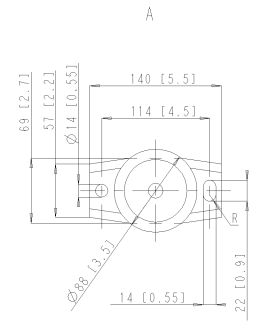


LETTER	NAME
A	OIL FILTER, ENGINE
B	OIL FILL, ENGINE
C	OIL DRAIN, ENGINE
D	OIL DIPSTICK, ENGINE
E	RAW WATER DRAIN
F	LIFTING DEVICE
G	FUEL CONNECTION, I. D. 9,5 [3/8] NPT OR 6,35 [1/4] NPT
H	FUEL FILTER
I	ELECTRICAL FUEL PUMP
J	THROTTLE CABLE SINGLE
K	WATER COOLED EXHAUST PIPE FOR HOSE I. D. 98,4 [3 7/8"]
L	STARTER MOTOR
M	FUSE PANEL
N	ELECTRICAL CONNECTION ENGINE - INSTRUMENT PANEL
O	CIRCUIT BREAKER FOR TRIM PUMP
P	OIL FILL, POWER STEERING
R	STEERING CABLE
S	WATER INTAKE
T	OIL FILL, OUTBOARD UNIT
U	OIL DRAIN, OUTBOARD UNIT
V	OIL DIPSTICK, OUTBOARD UNIT
X	SEE INSTALLATION INSTRUCTIONS
Y	COOLANT FILL AND LEVEL CHECK
Z	ENGINE FLUSH
AC	ANODE, EXHAUST MANIFOLDS (BOTH SIDES)



REVISION	DATE	DESCRIPTION	BY	CHECKED
1	07/13/15			
2	07/13/15			
3	07/13/15			
4	07/13/15			
5	07/13/15			
6	07/13/15			
7	07/13/15			
8	07/13/15			
9	07/13/15			
10	07/13/15			

ITEM NO.	DESCRIPTION	QTY	UNIT	REMARKS
D-16304-06	P7,07	A:	451.19117.761	A: 310 1154
D-16304-06	M3	A:	571.52 122.741	STANDARD RISE
D-16304-06	M3	A:	655.125.791	COVER REMOVAL
D-16304-06	M2,75	A:	149.35 165.511	TALL RISE
D-16304-06	M2,75	A:	149.35 165.511	TALL RISE
D-16304-06	M2,75	A:	149.35 165.511	TALL RISE
D-16304-06	M2,75	A:	149.35 165.511	TALL RISE
D-16304-06	M2,75	A:	149.35 165.511	TALL RISE
D-16304-06	M2,75	A:	149.35 165.511	TALL RISE
D-16304-06	M2,75	A:	149.35 165.511	TALL RISE

ALTERNATIVE METHOD FOR ENGINE MOUNT:  
 PRE-DRILL STRINGERS USING Ø9 [Ø 11/32] FOR PILOT TO DEPTH EQUIVALENT TO PENETRATION OF SCREW AND Ø13 [Ø 1/2] C-BORE IF NECESSARY. ONLY TO DEPTH REQUIRED TO CLEAR SCREW SHANK.

RECOMMENDED CLEARANCE FOR RAW-WATER PUMP MAINTENANCE FRONT OF THE ENGINE

**VOLVO PENTA**

INSTALLATION DRAWING  
 4-36 GENV VS

Part No. 22468232

03

RELEASED