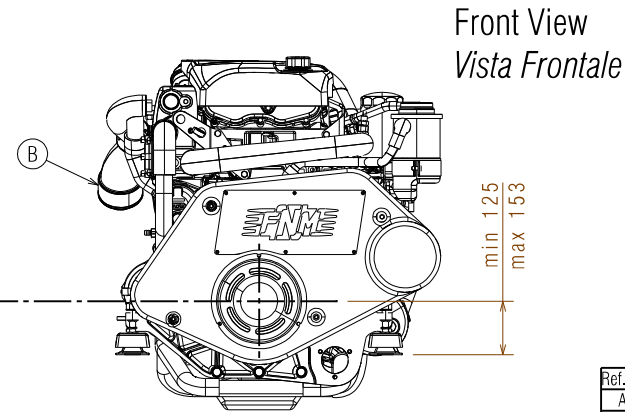
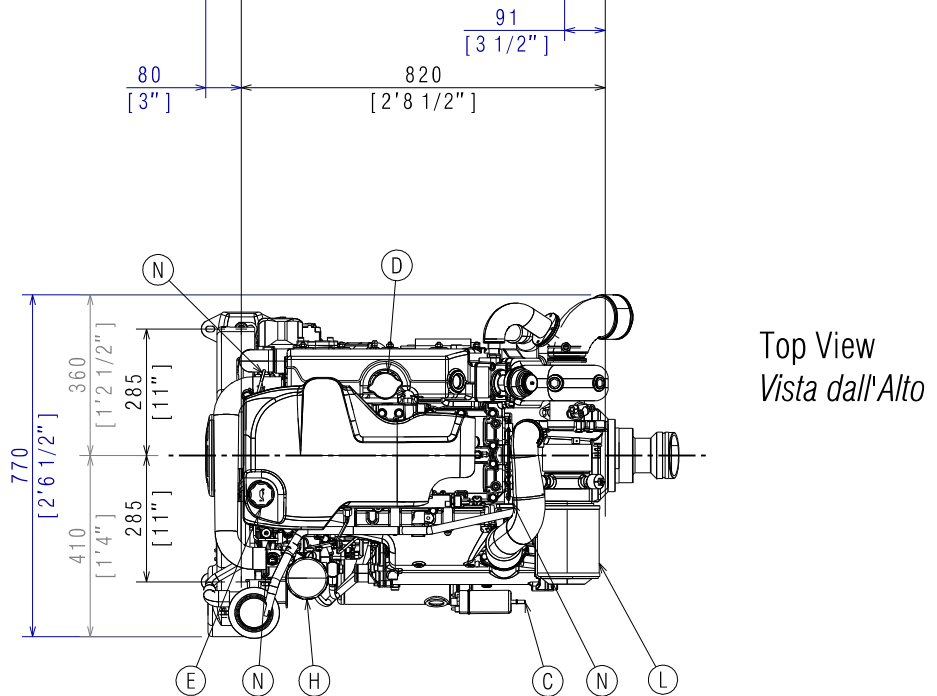
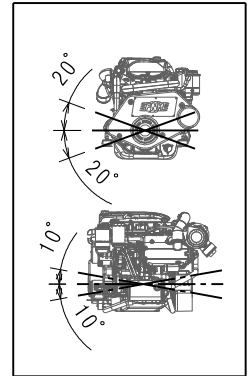


Starboard Side
Lato Sinistro



Front View
Vista Frontale



Top View
Vista dall'Alto

Ref. #	Description / Descrizione
A	Sea water pump inlet / Ingresso pompa acqua mare 32 mm [1 1/4"]
B	Exhaust raiser / Gomito di scarico 100 mm [3 15/16"]
C	Fuel inlet diameter / Diametro ingresso carburante 8 mm [5/16"]
D	Fresh water filler cap / Tappo rabbocco acqua raffreddamento
E	Oil filler cap / Tappo rabbocco olio
F	Oil dipstick / Astina livello olio
G	Oil drain (with not included pump) / Scarico olio (con pompa non inclusa)
H	Oil filter / Filtro dell'olio
I	Sea water drain / Scarico acqua mare
L	Air filter / Filtro dell'aria
M	Fuel return to tank / Ritorno carburante al serbatoio 8 mm [5/16"]
N	Lifting Eye / Punti di sollevamento
O	Potentiometer Plate / Piastra potenziometro
P	Diagnose Connector / Presa diagnosi

- Measures in square brackets are expressed in SCS.
Le misure in parentesi quadra sono espresse nel sistema imperiale britannico.

- Measures are shown without tolerances.
Tutte le misure sono da intendersi come indicative.

- Drawing is strictly confidential.
Vietata la riproduzione e la copia.

- Max pitch angle is 10°.
Massimo angolo di beccheggio 10°.

- Max roll angle is 20°.
Massimo angolo di rollio 20°.

ENGINE TYPE 30 HPE

DRAWING NAME Volvo installation diagram
290 Sterndrive ready

Revision 9, last update Feb, 26th 2014 © 2014 - FNM® - ITALY

		HP 180/225/250/270	Scale 1:12
		Weight 335 kg*	Sheet 1/1

NOTE
*Engine only

All proprietary rights reserved by C.M.D. s.r.l. This drawing shall not be reproduced or in any way utilized for the manufacture of the component or unit herein illustrated and must not be released to other parties without written consent. Any infringement will be legally pursued.